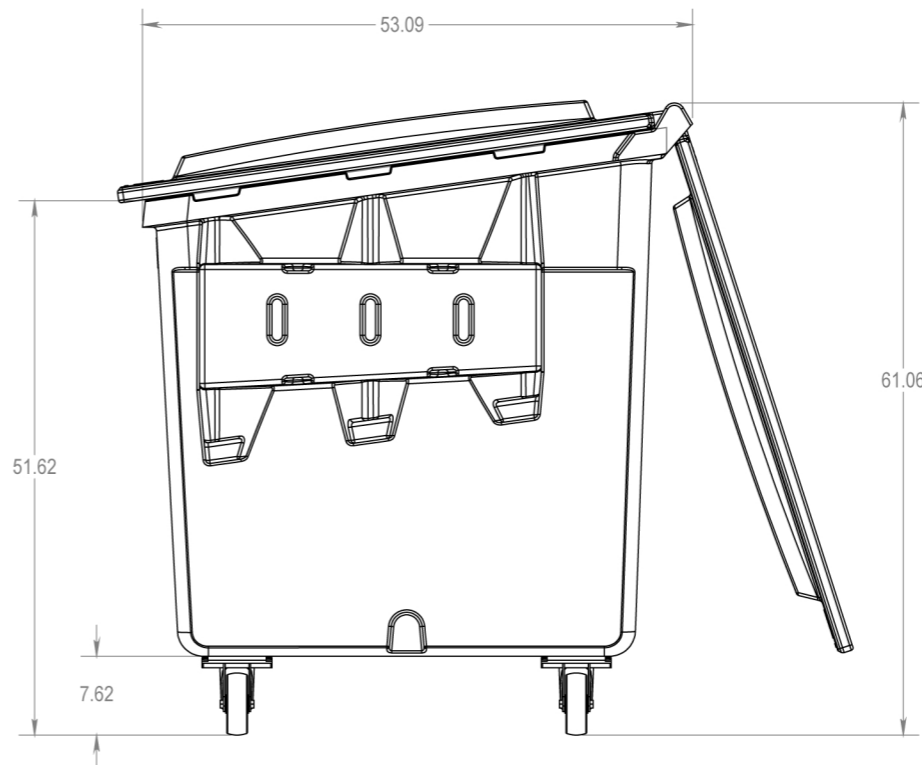
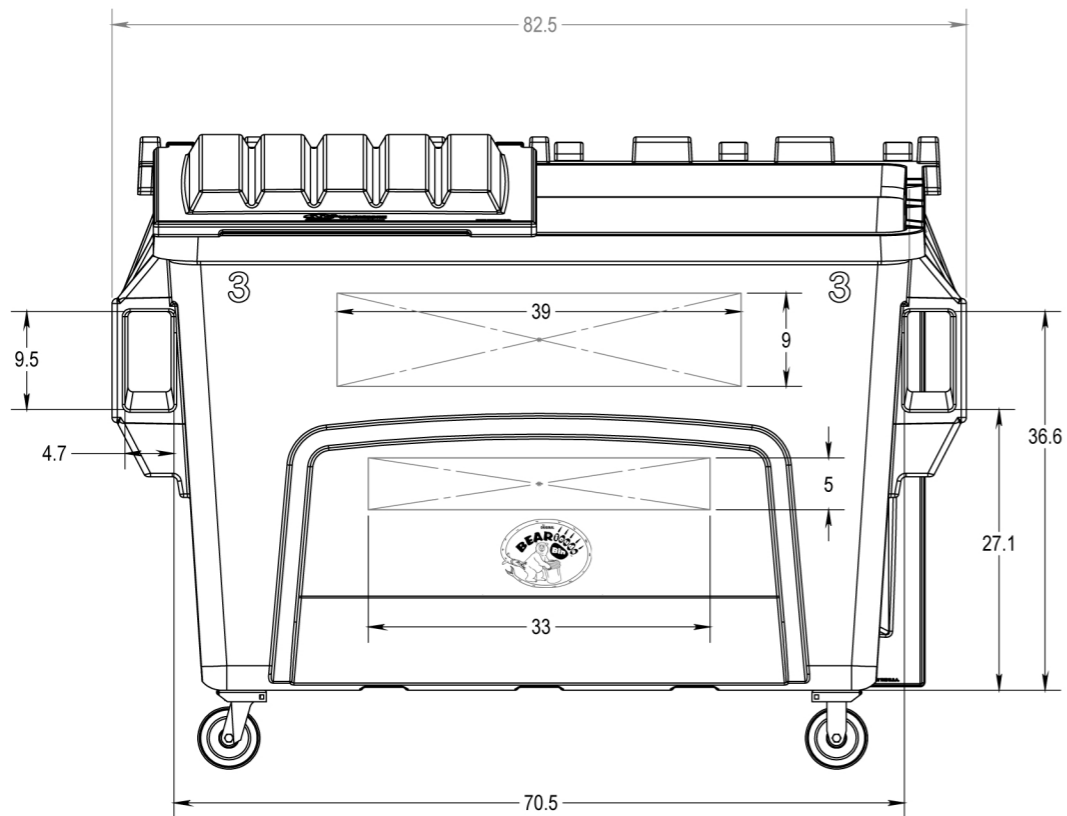
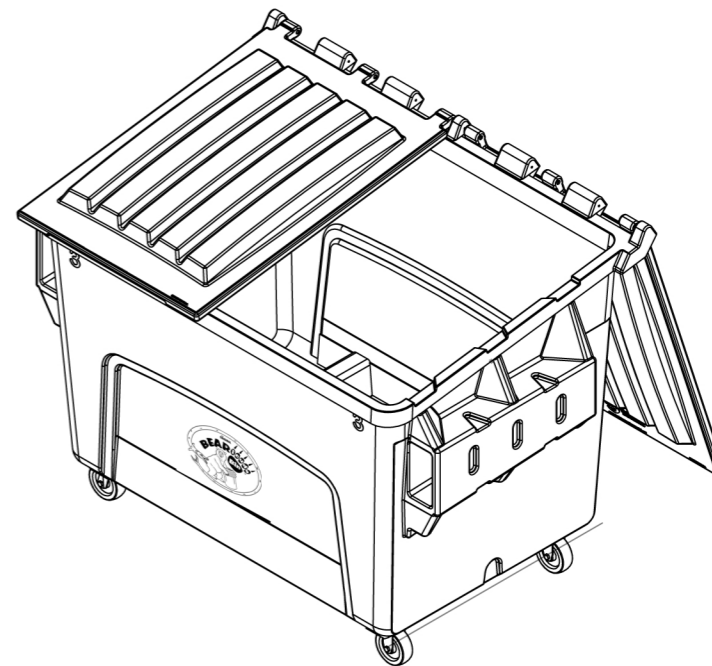
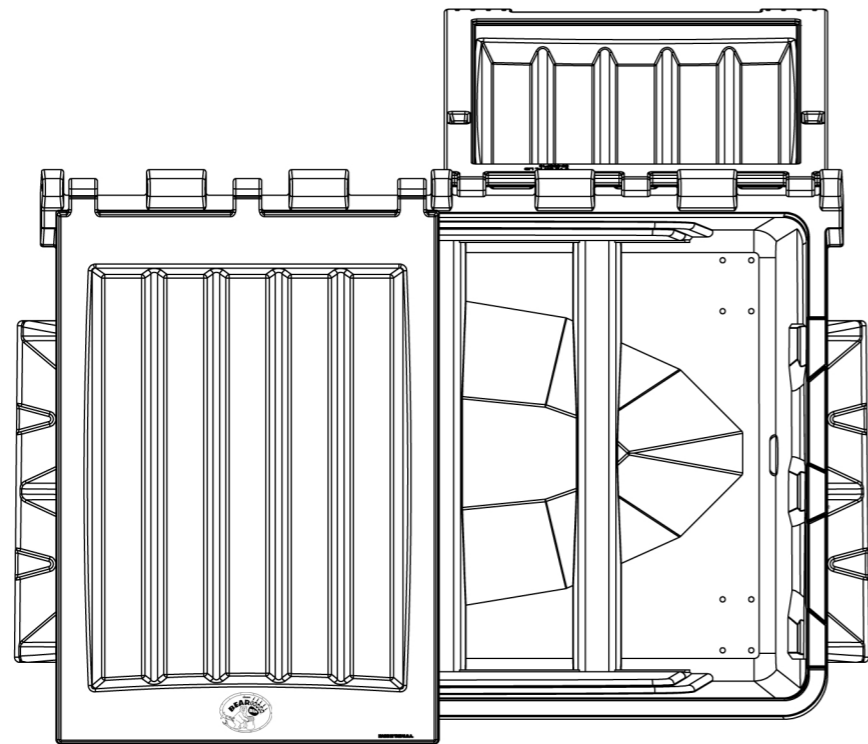


4

3

2

1



**SPECS:**  
**APPROXIMATE VOLUME 2.85 CUBIC YARDS**  
**APPROXIMATE WEIGHT 285 LBS. (WITH CASTERS AND LIDS)**  
**LOAD CAPACITY 2000 LBS.**  
**TRUCK QTY. 36**

PROPRIETARY AND CONFIDENTIAL  
 THE INFORMATION CONTAINED IN THIS  
 DRAWING IS THE SOLE PROPERTY OF  
 BEARICUDA INC.

UNLESS OTHERWISE SPECIFIED:		NAME	DATE
DIMENSIONS ARE IN INCHES		DRAWN	
TOLERANCES:		CHECKED	
FRACTIONAL: ±		ENG APPR.	
ANGULAR: MACH ± BEND ±		MFG APPR.	
TWO PLACE DECIMAL ±		Q.A.	
THREE PLACE DECIMAL ±		COMMENTS:	
INTERPRET GEOMETRIC TOLERANCING PER:			
MATERIAL: SEE BOM			
FINISH:			
NEXT ASSY	USED ON		
APPLICATION			

**BEARICUDA INC.**

TITLE:  
**89-30F18**

SIZE DWG. NO. REV  
**C** 3 YD FL-18A sales drawing A

SCALE: 1:12 WEIGHT: SHEET 1 OF 1

4

3

2

1

D

D

C

C

B

B

A

A